

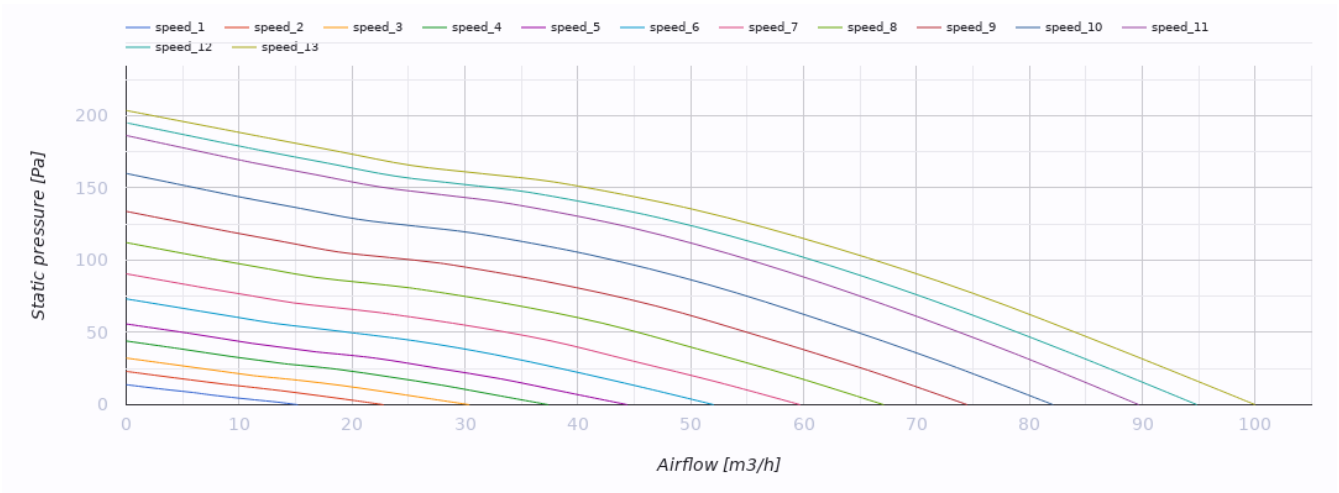


Freshbox 100 black

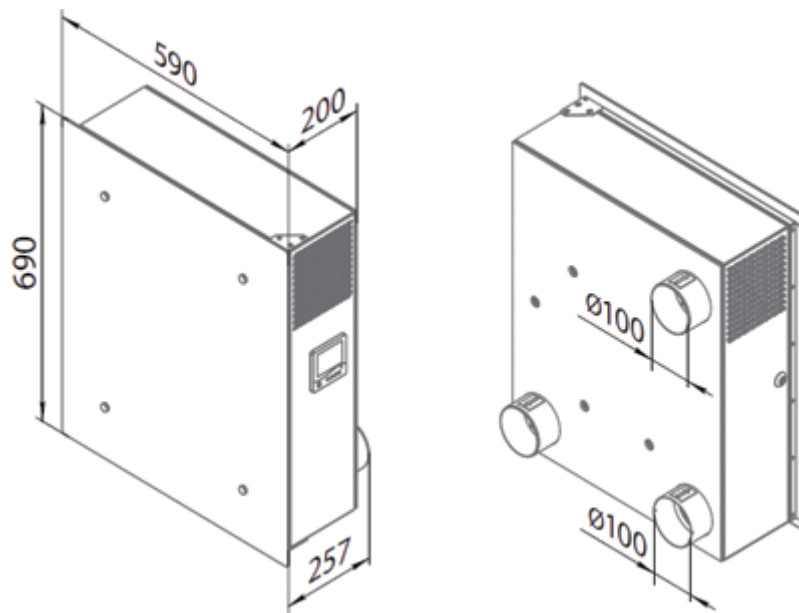
Single-room air handling units

- Heat exchanger type: Counter flow
- Heat exchanger material: Polystyrene
- Sound-insulated casing
- Bypass: Auto
- Control: Remote Control, Wired control panel, Built-in control panel
- Casing material: Coated steel
- Temperature sensor: Built-in

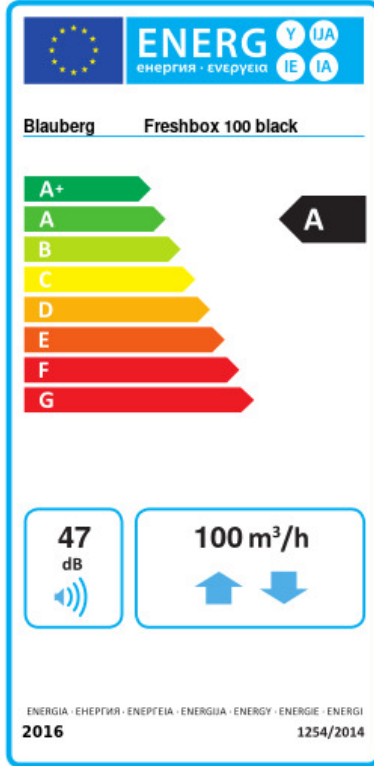
| | Unit of measurement | Freshbox 100 black | | |
|--|---------------------|--------------------|----|----|
| Phases | - | 1 | | |
| Minimum supply voltage | V | 110 | | |
| Maximum supply voltage | V | 240 | | |
| Power supply frequency | Hz | 50/60 | | |
| Heat recovery efficiency | % | 98 | 92 | 89 |
| Heat recovery efficiency, max | % | 98 | | |
| Heat exchanger type | - | Counter flow | | |
| Heat exchanger material | - | Polystyrene | | |
| Weight | kg | 31 | | |
| Transported air temperature (max) | °C | 40 | | |
| Transported air temperature (min) | °C | -20 | | |
| Ambient air temperature min | °C | 1 | | |
| Ambient air temperature max | °C | 40 | | |
| Ambient air humidity max | % | 70 | | |
| Ingress protection rating | - | IP22 | | |
| Ingress protection rating of the drive | - | IP44 | | |



Dimensions




Ecodesign




| | | | | | | |
|--|----------------------|----|---------|---|-------|---|
| Trademark | Blauberg | | | | | |
| Model | Freshbox 100 black | | | | | |
| Specific energy consumption (SEC) (kWh/(m²/a)) | Cold | | Average | | Warm | |
| | -81.4 | A+ | -41.6 | A | -16.2 | E |
| Type of ventilation unit | Bidirectional | | | | | |
| Type of drive installed | Variable speed | | | | | |
| Type of heat recovery system | Recuperative | | | | | |
| Thermal efficiency of heat recovery (%) | 92 | | | | | |
| Maximum flow rate (m³/h) | 100 | | | | | |
| Electric power input (W) | 45 | | | | | |
| Reference flow rate (m³/s) | 0.017 | | | | | |
| Specific power input (SPI) (W/(m³/h)) | 0.35 | | | | | |
| Control typology | Local demand control | | | | | |
| Maximum internal leakage rates (%) | 0.1 | | | | | |
| Maximum external leakage rates (%) | 0.9 | | | | | |
| Mixing rate (%) | 1 | | | | | |
| Airflow sensitivity at +20 Pa and -20 Pa (%) | 0.93 | | | | | |
| The indoor/outdoor air tightness (m³/h) | 7 | | | | | |
| Declared typology | RVU BVU | | | | | |
| Sound power level (dB(A)) | 47 | | | | | |
| The annual electricity consumption (AEC) (kWh/a) | Cold | | Average | | Warm | |
| | 786 | | 249 | | 204 | |
| The annual heating saved (AHS) (kWh/a) | Cold | | Average | | Warm | |
| | 9230 | | 4718 | | 2133 | |


Accessories

CO2 sensors

| Name | Photo | Description |
|----------------------|---|-------------|
| CD-1 |  | CO2 sensors |

| | | |
|----------------------|---|-------------|
| CD-2 |  | CO2 sensors |
|----------------------|---|-------------|

Other accessories

| Name | Photo | Description |
|-----------------|---|-----------------|
| EH Freshbox 100 |  | Electric heater |